

ECOMAX
LIGHTING

OUTDOOR Lighting



WALL PACK

WALL PACK IS GENERALLY USED TO PROVIDE ILLUMINATION TO GROUND AREAS FREQUENTED BY VEHICLES AND PEDESTRIANS.

THEY ALSO FUNCTION WELL AS AN ADDED LAYER OF SECURITY FOR PROPERTY OWNERS.



WALL PACK LED LIGHT

WP - xxxW

Wall Pack

Wattage

- 40W
- 60W
- 80W
- 100W
- 120W

T

Shell Shape

- 11
- 12
- 13

X

Dimming

- N=Non-dimmable
- D=Dimmable

Y

CCT

- 2700K
- 3000K
- 4000K
- 5000K
- 5700K
- 6500K

Z

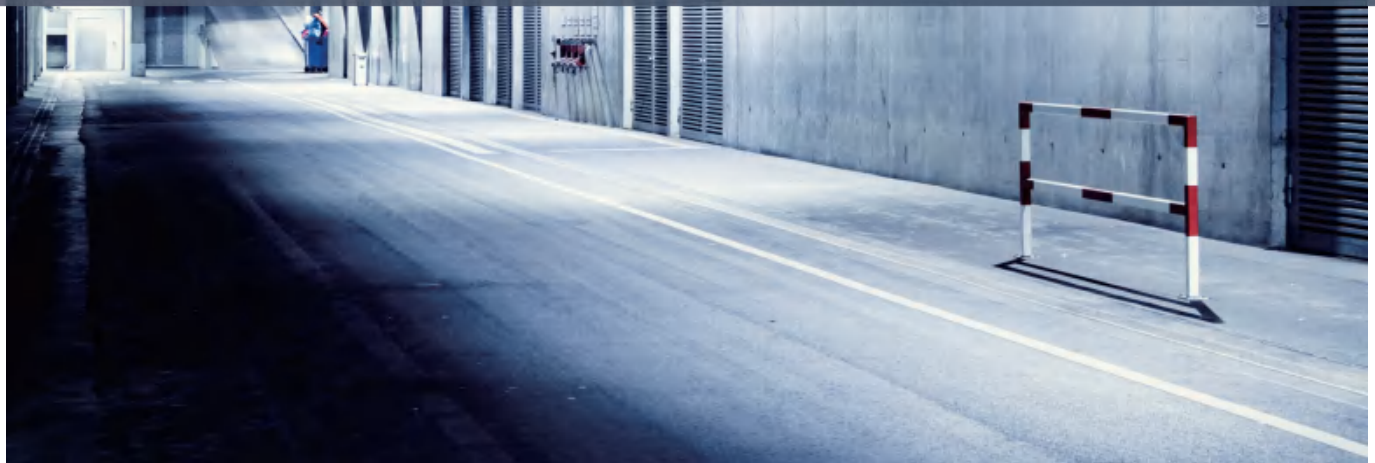
Beam Angle

- F=Full cut
- H=Haft cut
- G=general

I

Type

- I=IC Series
- Blank= Non-Isolated Driver



DESCRIPTION

The LED wall pack offers maximum light output for general purpose area and security lighting through a classic glass refractor design. Now available with enhanced the Venas platform, Wall pack provides improved energy savings compared with the former LED design.



SPECIFICATION FEATURES

Application

- Railway station&metros
- Car parks
- Industrial halls&warehouses
- Sport facilities

Warranty

- Five year limited warranty against defects in manufacturing

List

- ETL, CETL, FCC, DLC, IP65.

Construction

- Die-cast aluminum housing
- Durable dark bronze powdercoat
- Operating temperature -40° to +40°

Electrical

- Wet location rated
- Easy-to-access wiring compartment
- System rated for long 50000 hours life
- Optional Photocell



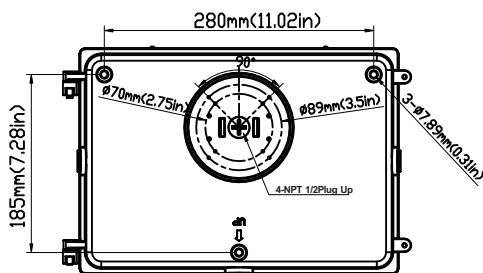
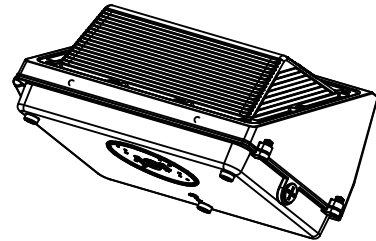
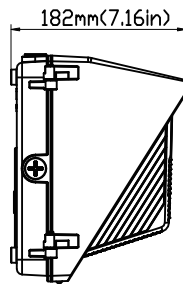
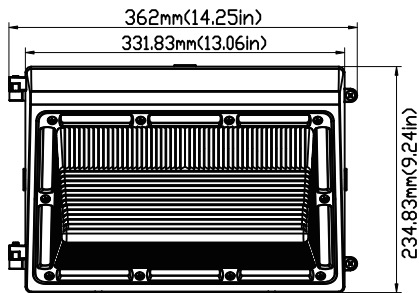
WALL PACK LED LIGHT

DETAILS

Model No	WP40W11XYZ	WP60W11XYZ	WP80W12XYZ	WP100W12XYZ	WP120W13XYZ
LED POWER (W)	40W	60W	80W	100W	120W
Light efficiency	> 130lm/W				
Input Voltage	AC 100-277V / AC 347-480V				
Lumen(lm)	>5200lm	>7800lm	>10400lm	>13000lm	>15600lm
CRI	>70				
PF	>0.9				
CCT	2700K / 3000K / 4000K / 5000K / 5700K / 6500K				

Model No	WP40W11XYZI	WP60W11XYZI	WP80W12XYZI	WP100W12XYZI	WP120W13XYZI
LED POWER (W)	40W	60W	80W	100W	120W
Light efficiency	> 115lm/W				
Input Voltage	AC 100-277V				
Lumen(lm)	>4600lm	>6900lm	>9200lm	>11500lm	>13800lm
CRI	>70				
PF	>0.9				
CCT	2700K / 3000K / 4000K / 5000K / 5700K / 6500K				

DIMENSIONS & PACKAGE INFORMATION



Non-Isolated Driver

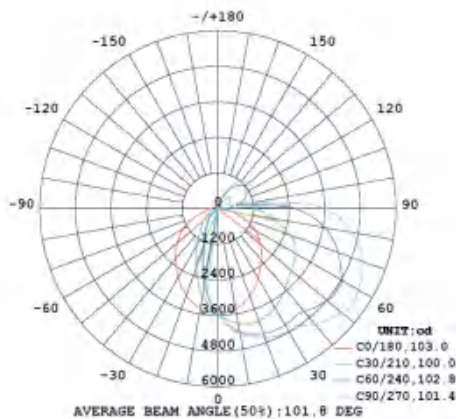
Wattage	QTY	N.W(LBS)	G.W(LBS)	MEAS.(inch)
40/60W	1	5.36	6.46	15.25*8.16*9
80/100W	1	5.99	7.09	
120W	1	7.31	8.41	

IC

Wattage	QTY	N.W(LBS)	G.W(LBS)	MEAS.(inch)
40/60W	1	4.24	5.34	15.25*8.16*9
80/100W	1	4.85	5.95	
120W	1	5.73	6.83	

UNIVERSAL

PHOTOCELL



WALL PACK LED LIGHT

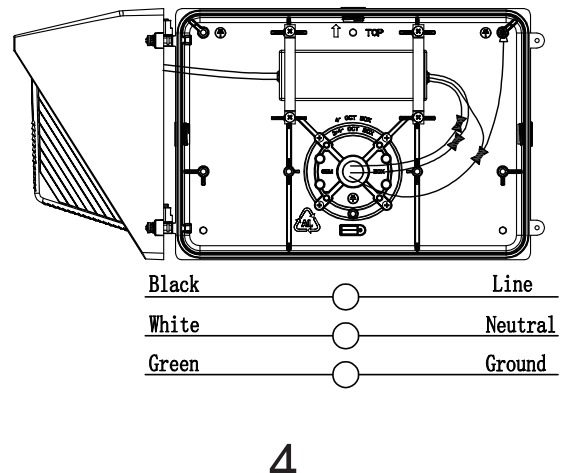
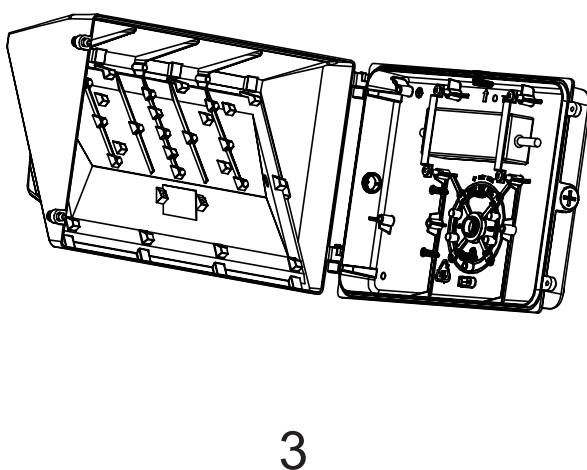
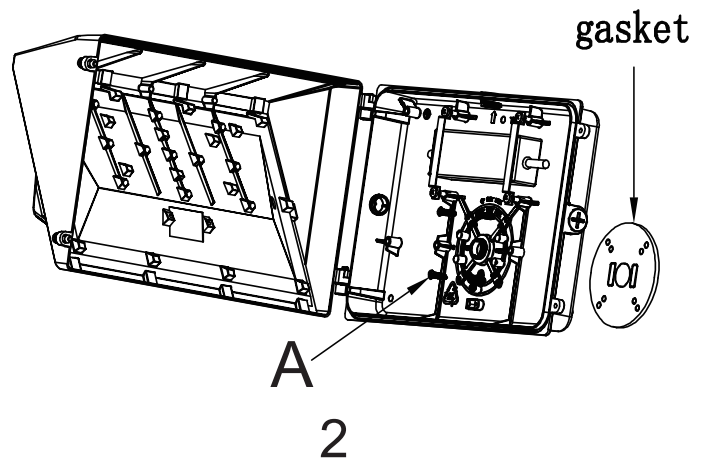
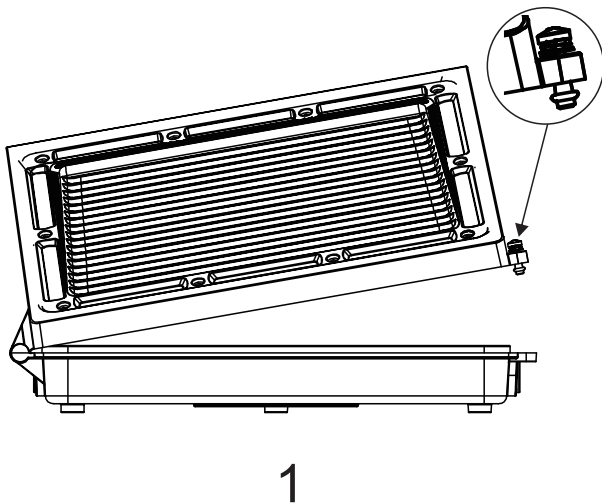
MOUNTING WAYS

⚠ WARNING

1. To avoid electric shock, disconnect power at source prior to installation.
2. The installation should be performed by qualified electricians or lighting technicians.
3. Before conducting any installation, maintenance, or removal, disable all power to the luminaires and wait until the fixture cool down.
4. Do not touch the fixture while it is in service.
5. If there is any problem with the fixture, DO turn off power and DO NOT attempt repair unless you are a qualified technician or the customer service member.

Junction box Mounting

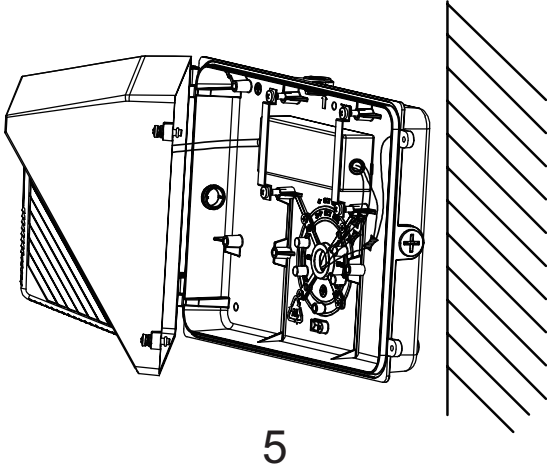
1. Loosen screws and remove the front lens set carefully from the back plate.
2. Drill appropriate knockouts (A) for wiring, the fixture supports standard 3 1/4" and 4" Junction box.
3. Attach the back plate on the wall, use the supplied gaskets for a weather tight seal.
4. Finish wiring (Black for Line, White for Neutral and Green wire for Ground).
5. Replace the lens on the hinges, make connections and close the lens set then tighten the screws. (Next page)



(Next Page)

WALL PACK LED LIGHT

MOUNTING WAYS



5

Conduit Mounting

1. Loosen screws and remove the front lens set carefully from the back plate. (See step 1 Page 4).
2. Remove 1/2" plug from where you intend to feed conduit.
3. Drilling out the holes (B) to secure it on the wall with choosing proper screws. (See the picture A below)
4. Finish wiring (Black for line, White for neutral and Green for ground). (See step 4 Page 4).
5. Replace the lens set on the hinge and finish connection, Close the lens set and tighten the screws to fasten the lens set to the back plate. (See the picture B below)

